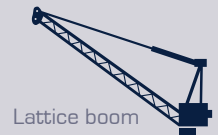
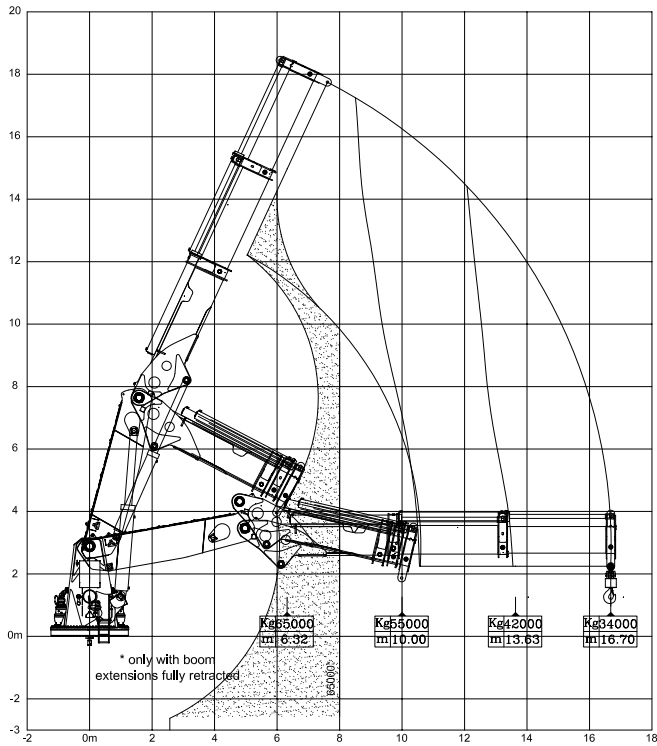


## Heavy Duty - Compact Storage HLRM 800-2S





### PERFORMANCE & CHARACTERISTICS

Lifting capacity - Hook	34.00 ton @ 16.70 m
	65.00 ton @ 8.00 m
Power consumption	265 kW
Max bending moment	10100 kNm
Max vertical force	1170 kN
Slewing torque	1600 kNm
Crane weight	48 ton
Winch S.W.L.	20 ton

**Heila Cranes S.p.A. Italy**  
Headquarter and production facility

**Heila Cranes Nederland B.V.**  
Sales and service branch

**Heila Cranes Southeast Asia Pte Ltd**  
Sales and service branch

info@heila-nl.com | www.heila.com



License number 2C-0150

