

EFFER 120000-3S MARINE CRANE



EFFER 120000-3S MARINE CRANE

Brimmond's Effer 120000-3S Knuckle Boom Crane is a tough, reliable and high specification marine crane which can be modularised to help with limited offshore platform lifts. The crane model is capable of hook lifts up to 6,850kg at radius 15.07m and can be used for a diverse range of applications such as:

- Tug, workboat, research and naval vessels
- Fish farm workboat cranes
- Decommissioning & renewable projects such as mattress recovery and well P&A support
- Pipe laying towers, ROV LARS and subsea equipment

Brimmond offer a range of complimentary equipment for rental; contact our hire team to find out how we can help you. For special projects, we offer a bespoke design solution, tailored to your requirements.

Toftfills Avenue, Midmill Business Park,
Kintore, Aberdeenshire, Scotland, AB51 0QP, UK

+44 (0) 1467 633805
info@brimmond.com



www.brimmond.com

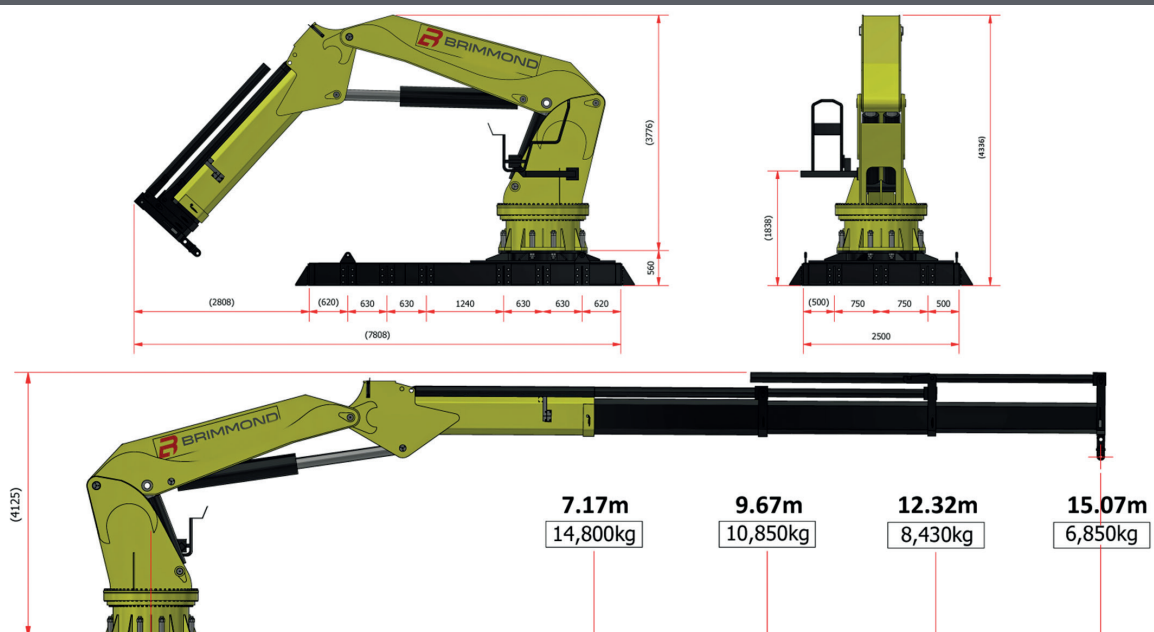
WORK AREA CLASSIFICATION

CE Suitable for Safe Area use only

TECHNICAL SPECIFICATION - STANDARD SUPPLY

CRANE MODEL	120000-3S
HYDRAULIC REQUIREMENTS	Supplied with Brimmond rental HPU
LIFTING CAPACITY	From 14,800kg @ 7.17m to 6,850kg @ 15.07m (on hook)
NUMBER OF EXTENSION SECTIONS	3 hydraulic extensions
SLEWING ARRANGEMENT	Slew bearing, unlimited slewing
WINCH TYPE	Dynamic Oil
WINCH CAPACITY	5 or 10 Tonne winch available on request
WINCH ROPE	To suit application
CONTROLS	Seated control station and remote control
SAFETY FEATURES	Load moment limit device Hook load cell & screen display available on request
CYLINDER RODS	Marine grade nickel chrome plating
PINS	Marine grade material protected Geomet® coating
HOSE, FITTINGS & PIPES	All components are suitable and protected for a marine environment
PAINT FINISH	Cataphoresis immersion, dip coated with a further 3 coat marine paint system
MOVING & HANDLING	Skid base in accordance with DNV 2.22 Spreader beam and sling set in accordance with DNV 2.22
CRANE DIMENSIONS	5000mm (L) x 2500mm (W) 4336mm (H) (stowed on skid base)
WEIGHT	24,000kg (on skid base) also available to be modular on request
MOUNTING	Direct mount or supplied with skid base c/w sacrificial deck plates

MAIN DIMENSIONS



All information is correct at the time of printing. Brimmond reserves the right to make any changes to the above specification, without prior notice, with no impact on the overall unit performance.